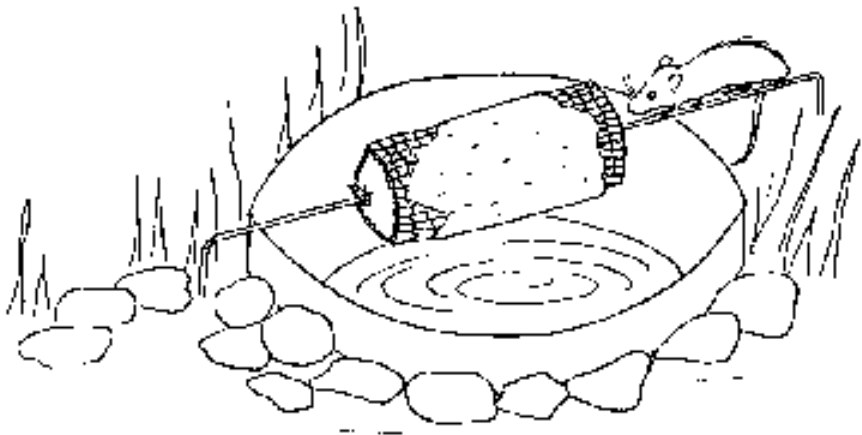


Dee kkoshagi ba ssik



Tta Kom

Title: **Dee kkoshagi ba ssik**

በአማርኛ: የአይጥ ወጥመድን ማዘጋጀት

Title in English: *Making a Rat Trap*

Language: Komo, as spoken in Ethiopia

This material was taken from *Footsteps*, the literacy publication of TEAR Fund, with kind permission.

English edition published in the UK in 2003 and revised in 2007 by Mission Assist. © 2003, 2007

Translated into Amharic by: Simret Fekadu

Komo revised and edited by: Manuel A. Otero with Sumale Pogi and Gerenga Tesfay.

Mother tongue translation workshop facilitated by REB Asosa/
Fekadu Deresa

Published by: *Mao Komo Project: NMS Ethiopia*
in consultation with *SIL Ethiopia*.



Partners in
Language Development

Publication date: November 2015

First edition, 200 copies

Permission is granted for non-profit reproduction and other use of these materials.

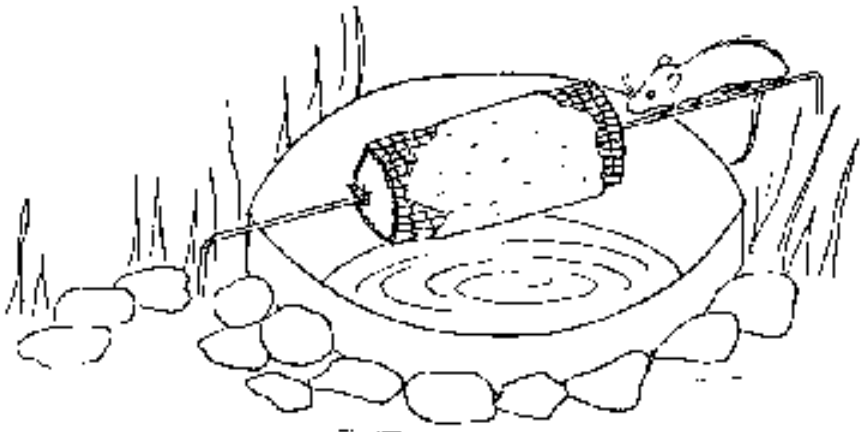
Please send one copy of any books you produce to:

MissionAssist

PO Box 257, Evesham

England WR11 9AW

Dee kkoshagi ba ssik

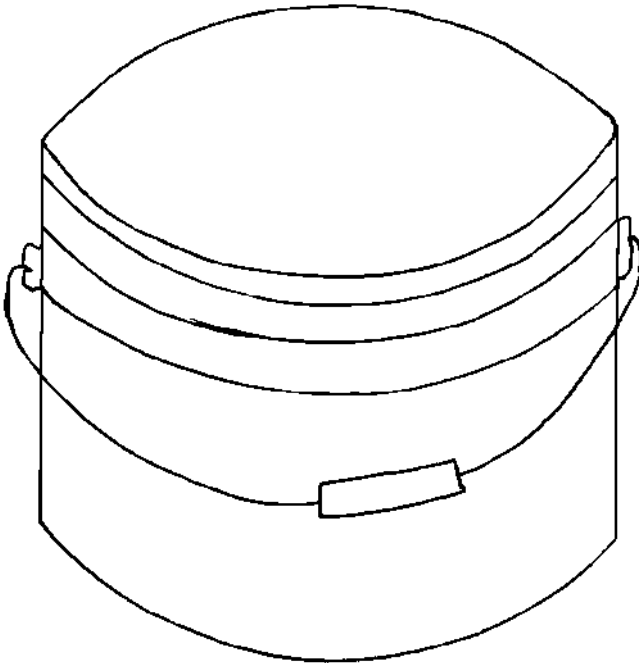


Gũ ssik mittan sa.

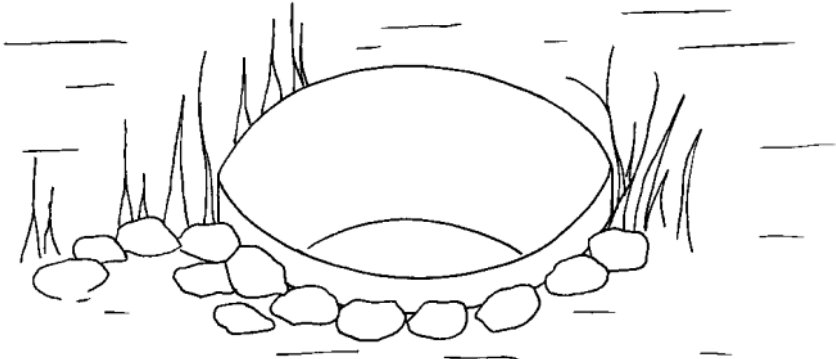
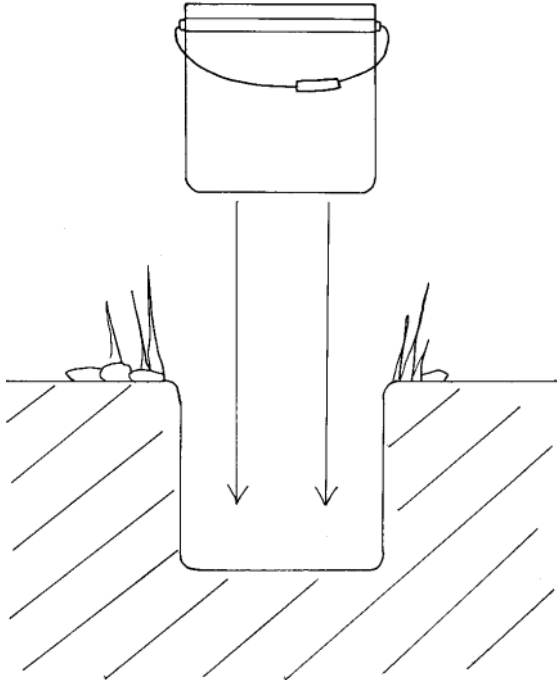
Kka kuppshin kama gi iyama babun. Kaunam huna kuma ish.

Gi amun, n da eren iun kuma law wassin shwattin.

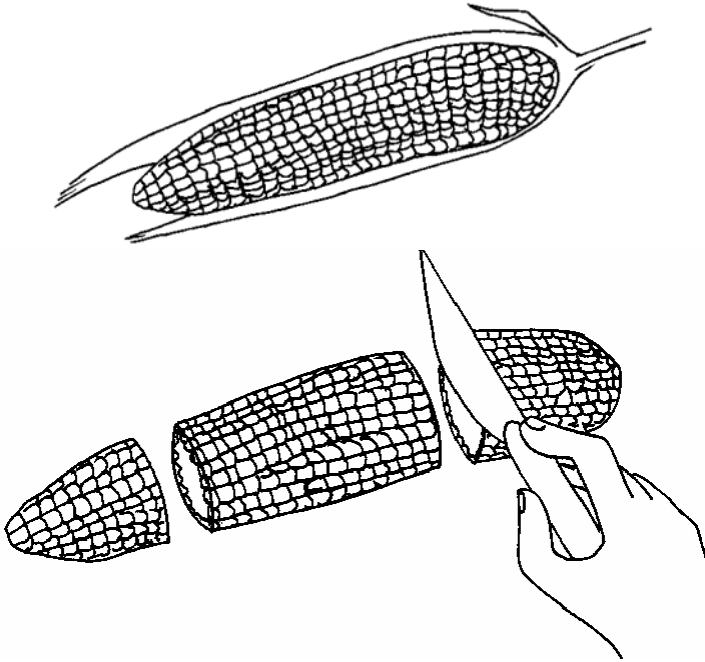
Gũ ssik unagun wu kappi balanun kesha kkosh. Inia kkwalin yii kongo telyiba gi dde a si.



A si dii, kkwalin duba babuk i mada dūgi gū ssik.

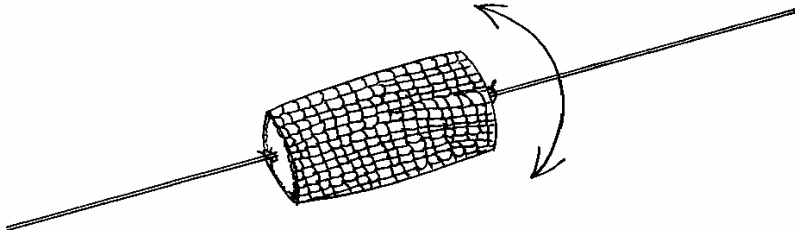


Kkɓɓ ba kama da kussin, da ttorishaningike,
ɓananin ddoosh

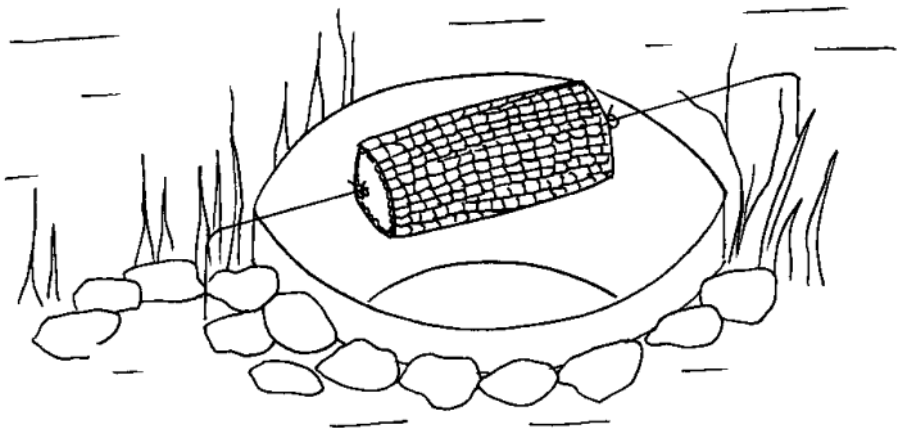


Gibeni ɓana kaash silik da tandura gi dde. ɓana
gossuk gi yen i dish. ɓananin tigi goza i kim ba
guunda. Da kkwalagi ga bishi niya, ɓanar ma
balir wad ar silik dii.

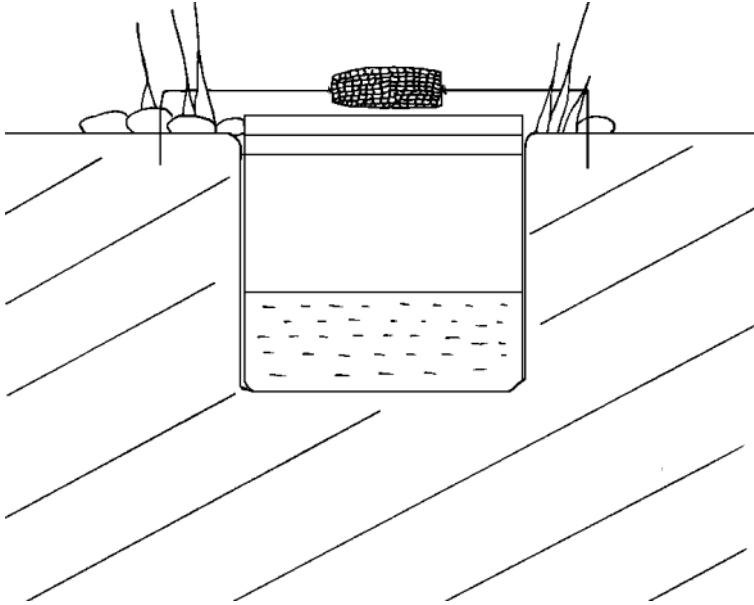
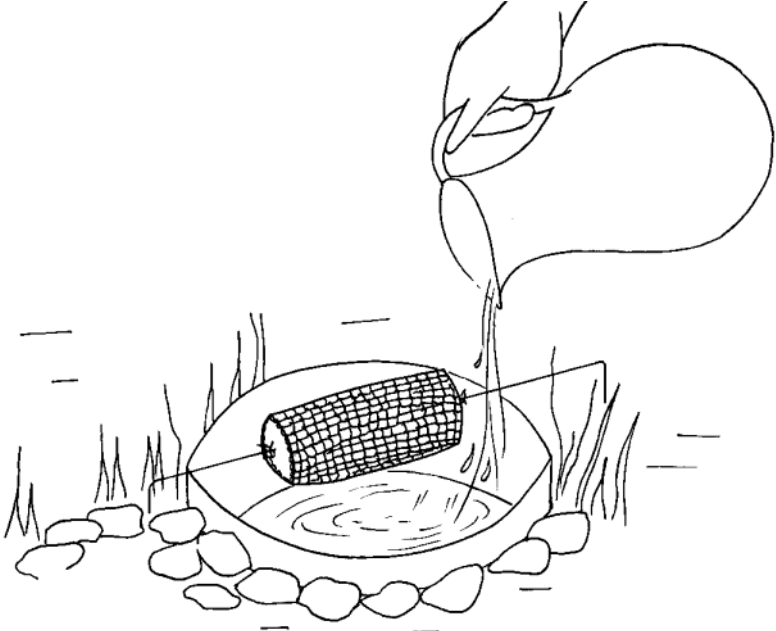
Gimadi silik gi lissiman bin ma swan bin
kkwalin bal giz kuma kkassi.



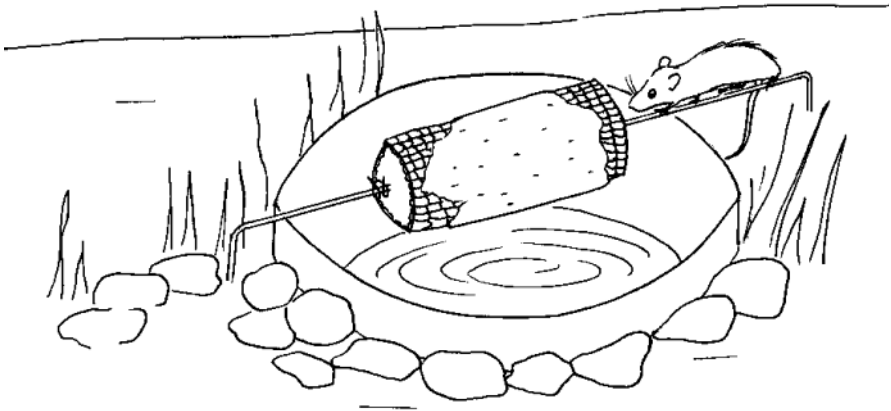
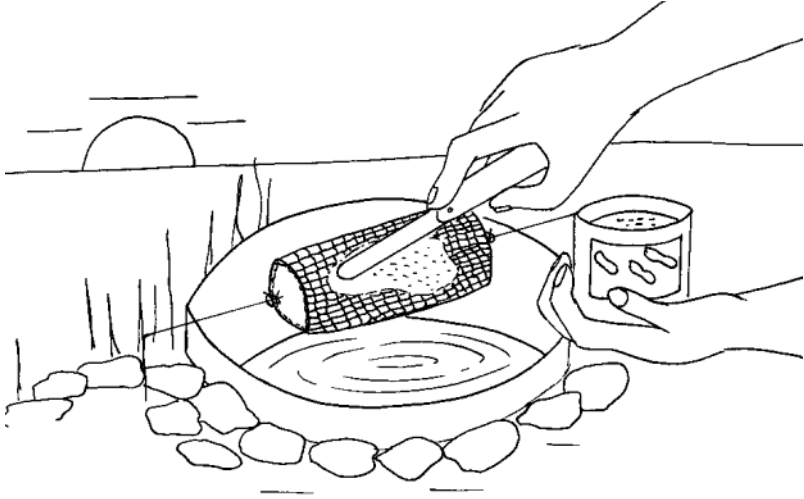
Lissiman ba silik dii, kkwalin bal bbiss i kim ba
gish.



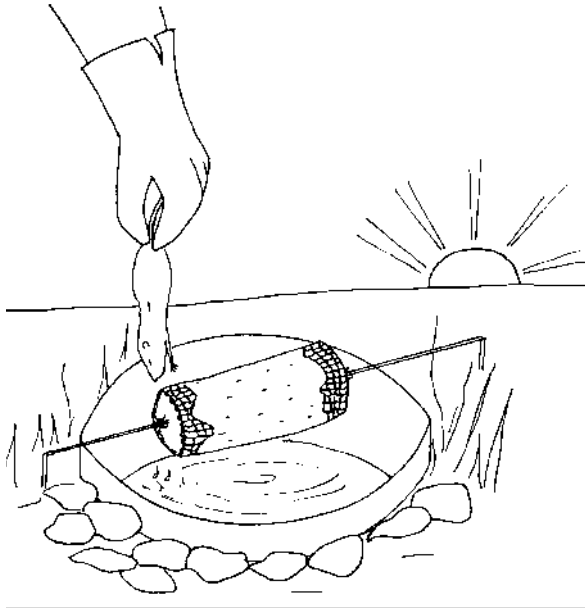
A yii bal ya santimiteri kkoshkkolo ayuk a abuss.



Dden te gi ttagush ttagush kkunisha ba kama mɔnami gi yen ɔnanin ti gi katuk. Da yilingi a kkunisha ba kama kkwali ga ushagi.



Gibeni da sigungi ke ttassam da gimshigi, da wuukun dii, ɓi kissuk gi watti, n dden ɓi bab dan.



Yiba gi dde a kuma bin ba 934 gi kappi kana dogon kkoshurun teliyiba gi dde gi tta gi dde. Dee da ushi gu ssik: kama, yakur, bu, wass, shum, budi iyama.

Dotagi

1. Gi kkeshagi ba kappi kkwalin din?
2. Gunda ba kama ɓna ma ga kin?
3. Gu ssik ɓna wun ɓnanun ma ga kin?